

Oxygen Inhalation Mask

陕械注准20192080051



Product features

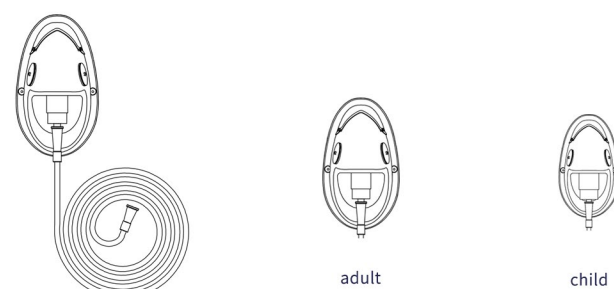
- Oxygen inhalation tee is applicable to dual-person oxygen inhalation with limited oxygen inhalation conditions.
- Wear it on the face or tracheotomy site for oxygen inhalation.
- Oxygen concentration can be adjusted as required.
- Individual packaging, ethylene oxide sterilization, single use.



Clinical guideline

- For high flow oxygen inhalation with oxygen flow of 6-10L/min.
- Accurately adjust the oxygen concentration of patients who inhale oxygen.
- Tracheotomy patients inhaling oxygen.
- Patients transported (transferred) inhaling oxygen.

Oxygen mask



adult

child

DRD-C			
Code	Size	Length	Qty
080501	adult	1500mm	60

DRD-R			
Code	Size	Length	Qty
080504	child	1500mm	60

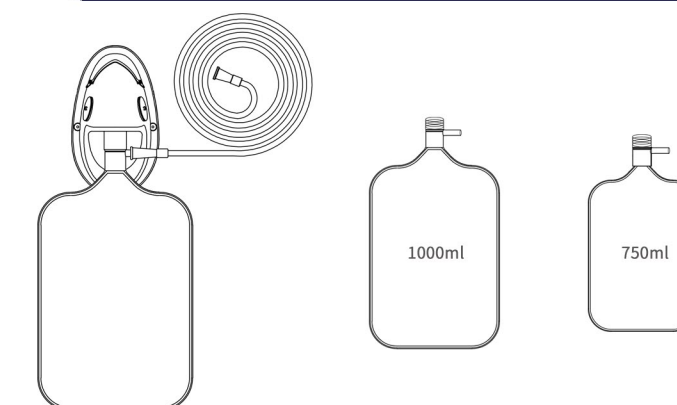
*For more models and specifications, please refer to the product search table.

DRD-CH(1000ml)			
Code	Size	Length	Qty
080516	adult	1500mm	50

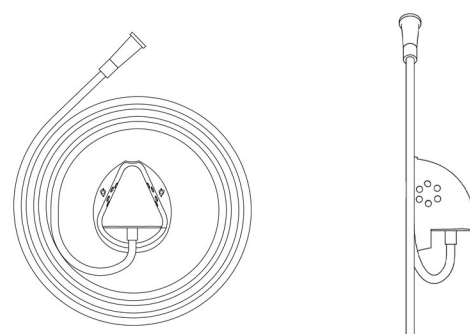
DRD-CH (750ml)			
Code	Size	Length	Qty
080519	child	1500mm	60

*For more models and specifications, please refer to the product search table.

Oxygen storage mask



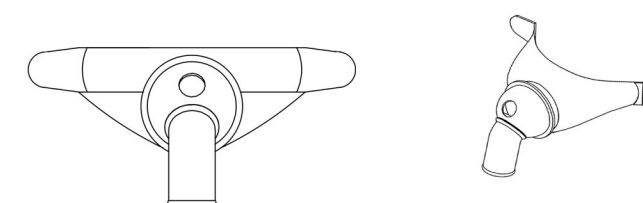
Oxygen mask



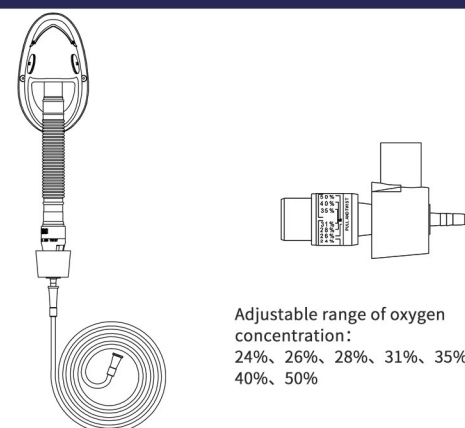
DRD-X			
Code	Size	Length	Qty
080507	infants	1500mm	100

DRD-Q			
Code	Size	Qty	
080525	adult	90	

Air cutting mask



Adjustable oxygen inhalation mask



Adjustable range of oxygen concentration:
24%、26%、28%、31%、35%、40%、50%

DRD-K			
Code	Size	Length	Qty
080510	adult	1500mm	60

DRD-K			
Code	Size	Length	Qty
080513	child	1500mm	60

*For more models and specifications, please refer to the product search table.

DRD-CB			
Code	Size	Length	Qty
080522	adult	1500mm	50

*For more models and specifications, please refer to the product search table.

Nasal oxygen inhalation mask

